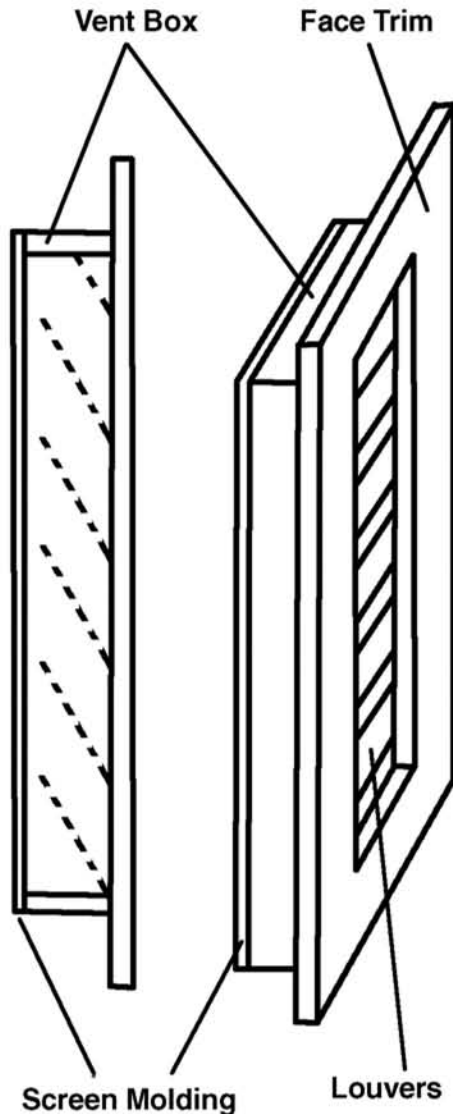


## Wood Gable Vent Construction All shapes



The vent box is constructed of  $3/4"$  x  $2\ 3/4"$  lumber.

The Face trim is attached to the front of the vent box. The  $2\ 3/4"$  flat trim over hangs the vent box  $1\ 7/8"$ . The  $2"$  brick molding over hangs the vent box  $1\ 1/8"$

The louvers are  $3/4"$  x  $3\ 1/2"$  set in the vent box at a 30 degree angle. The louvers are spaced  $3"$  apart and overlap each other  $3/4"$ . There is a net free air space of  $7/8"$  per lineal inch between louvers.

A  $1/4"$  thick screen molding is applied over aluminum screen wire on the back of the vent to stop bug and bird penetration, making the overall mounting depth of the vent  $3"$ . The depth can be minimized to  $2"$  without changing the pitch of the louvers or altering the net free air space.

Joints are glued together using a water-proof wood glue. At the bottom of the vent box where the face trim attaches, a silicone barrier is applied to conduct moisture to the outside of the vent.

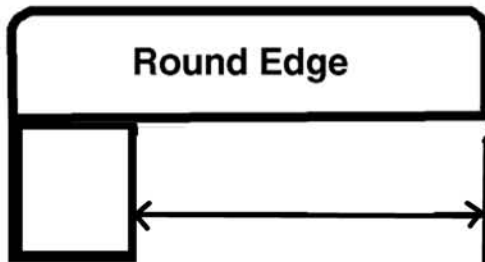
Galvanized staples are used throughout construction.

**Toll Free: 866-257-7449**

**Email: [mjhbstlouver@aol.com](mailto:mjhbstlouver@aol.com)**

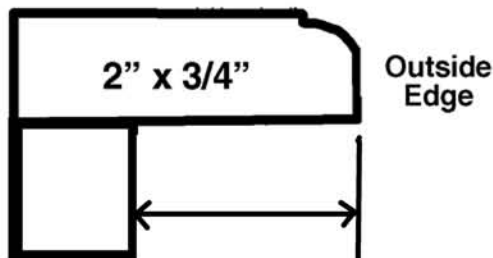
## Trim Profiles All shapes

### 2 3/4" Flat Trim



2" overhang

### Brick Molding



1 1/4" overhang

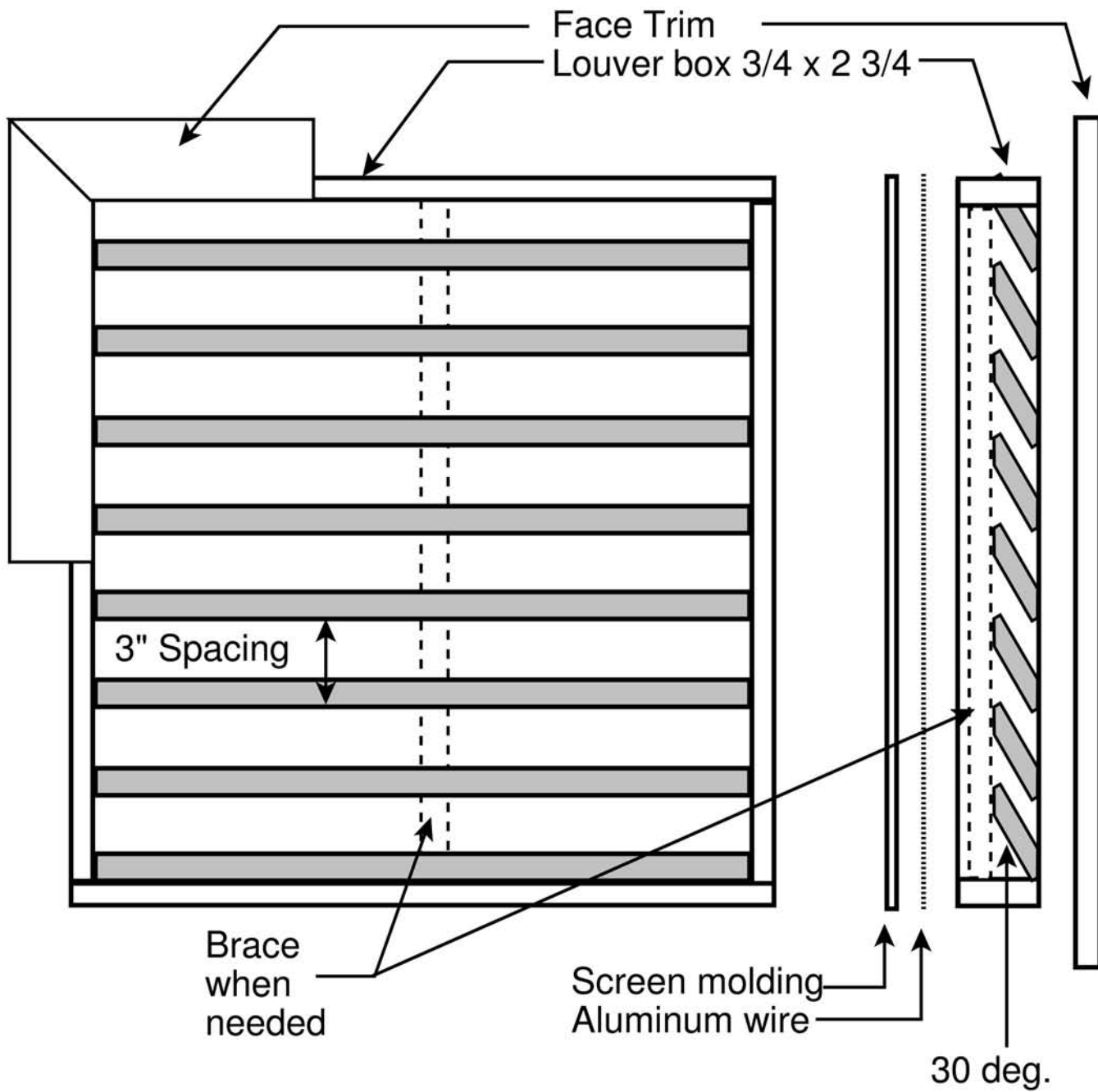
The choice of face trim depends on both the application and the desired look.

When a siding is used such as wood, cement board, fiber board, vinyl or any other low profile siding the 2 3/4" flat trim is typically used. Whether you select the square edge or the round edge is a matter of preference. The square edged trim is the most common because it matches most house trims which are also square edged.

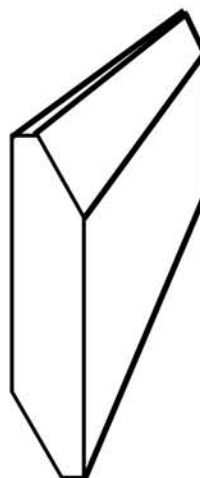
The brick molding is typically used in brick, stone, or stucco, although the 2 3/4" flat trim is sometimes used in a surface mount application on stucco. Bestlouver recommends the use of the 1 1/8" x 2" brick mold for most brick mold applications where the vent is set into the finished wall. The 1 1/8" (5/4) brick molding is a deeper profile for a more dramatic look.

The face trim is attached to the vent box with galvanized staples and water resistant glue.

When primer paint is ordered the staple holes and wood joints are puttied using a plastic putty and sanded smooth.



Joints are fastened using an exterior water proof glue and 1 1/2" galv. staples

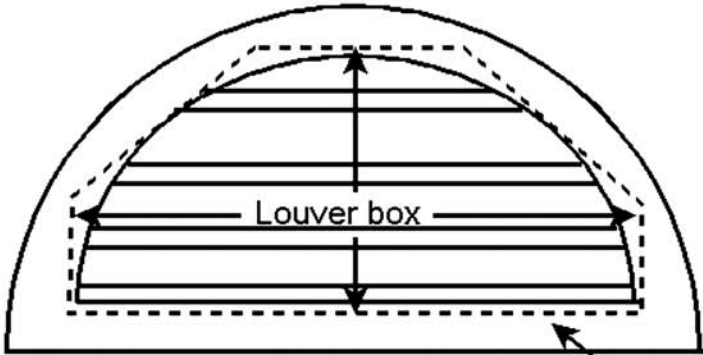
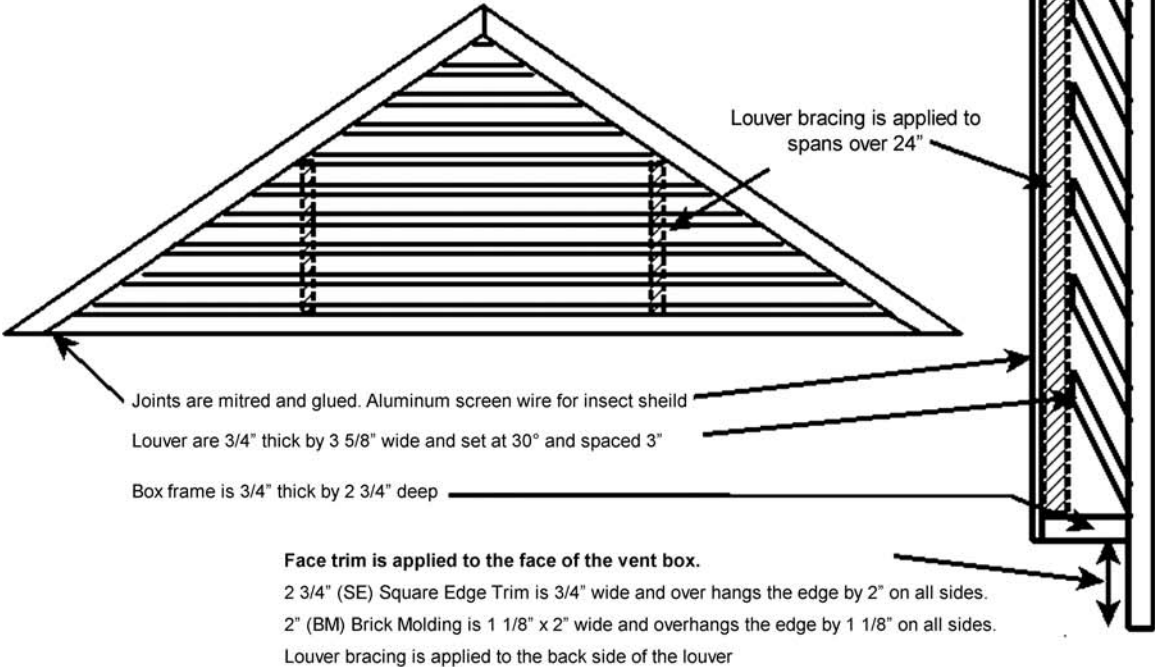


Louver profile  
 $\frac{3}{4} \times 3 \frac{1}{2}$   
 30 deg. angle

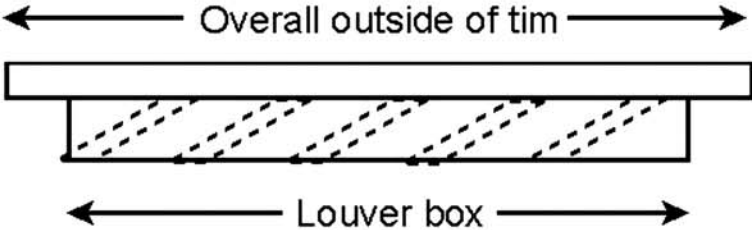
**BESTLOUVER LLC**  
 TEL: 866-257-7449  
 mjhbestlouver@aol.com

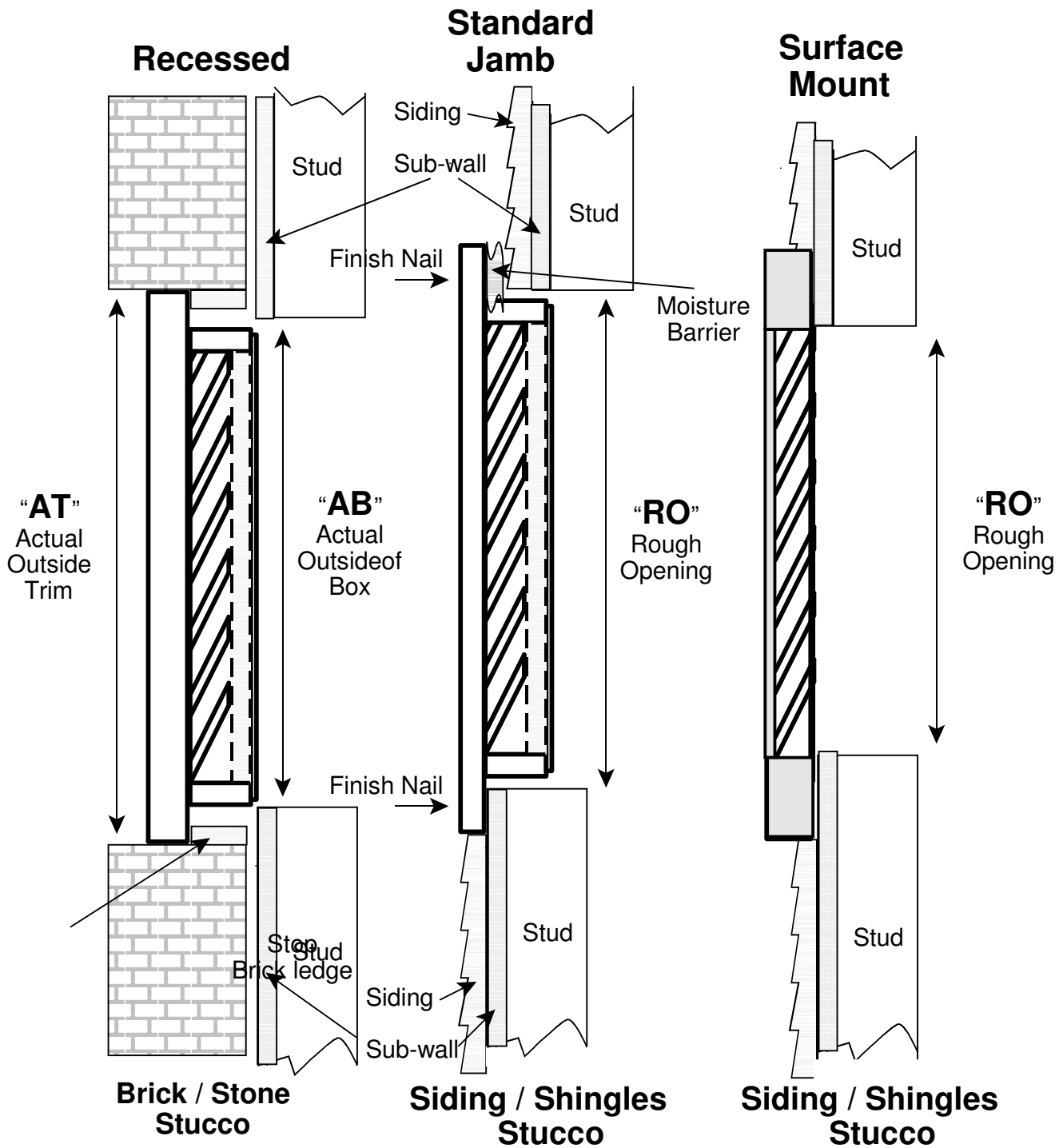
# LOUVER CONSTRUCTION

Pitched Gable Vents: Typical Construction



The face trim is attached to the face of the louver box concealing the octagon louver box.

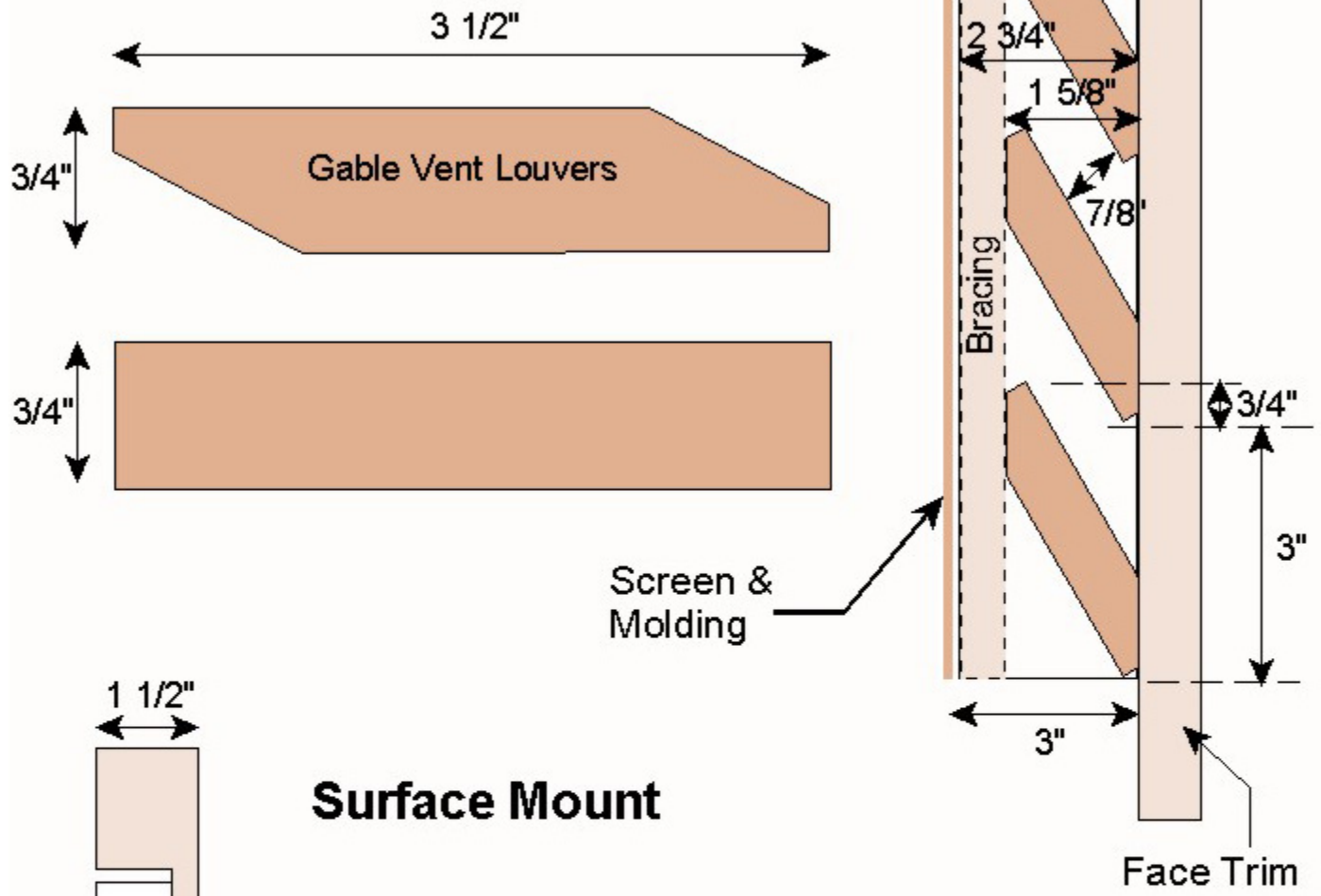




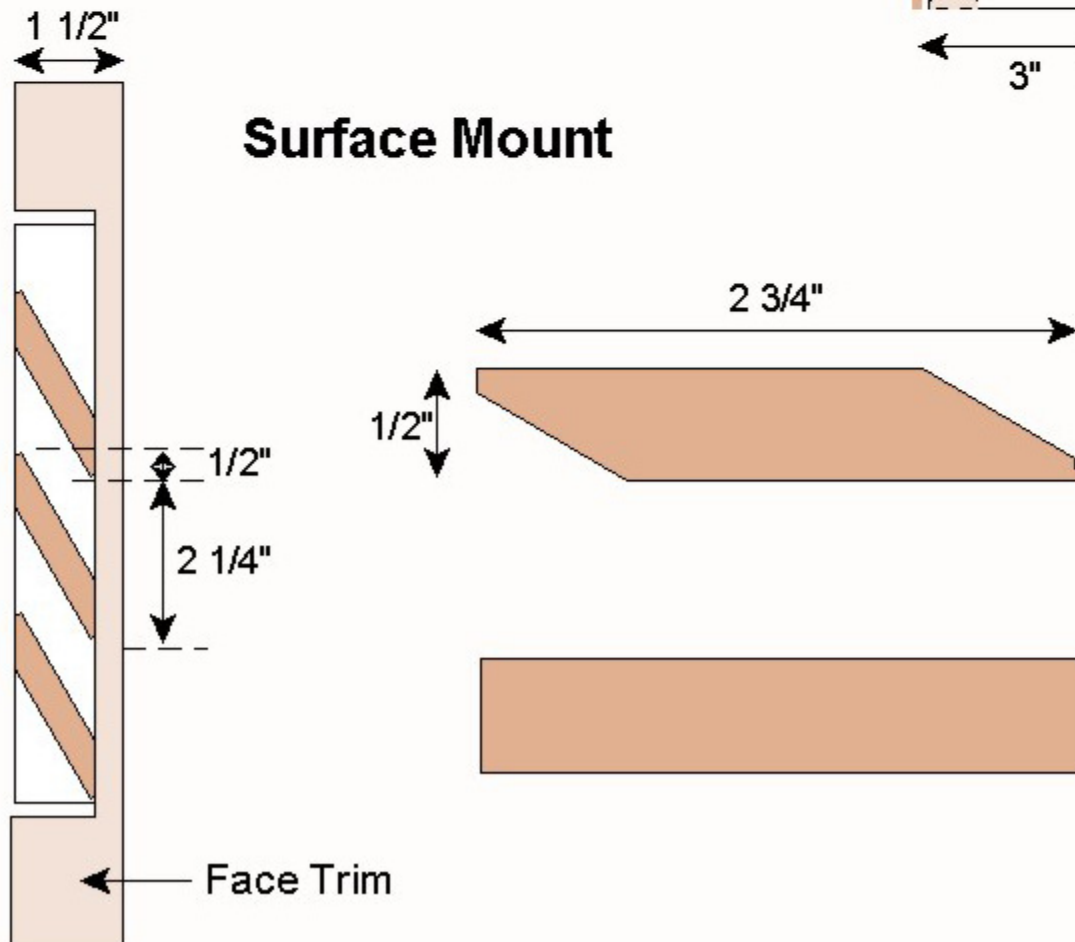
- \* The louver box is 3" deep
- \* Dimension References are:

**AT** - The exact measurement of the face trim from side to side.  
**AB** - The exact measurement of the louver box from side to side.  
**RO** - The rough opening is the exact measurement of the hole in the subwall into which the louver box must fit. ( The louver box will be undersized to fit the RO)

## Standard Jamb



## Surface Mount



# Louver Profiles

