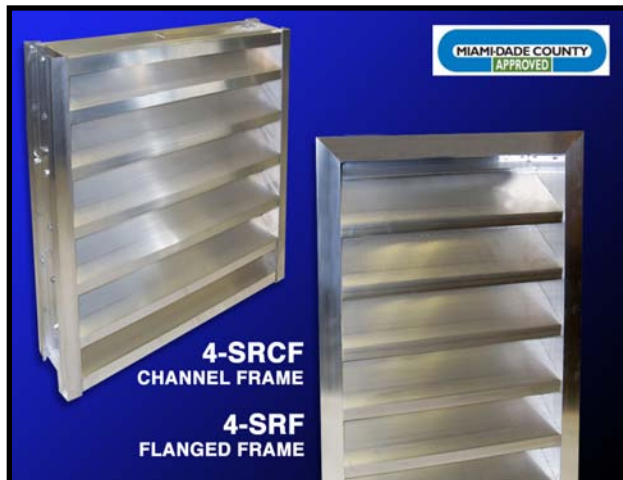


## MIAMI-DADE COUNTY APPROVED



### IMPACT RESISTANT LOUVERS

#### MODEL 4-SRCF & 4-SRF

Miami Dade Approved-NOA No. 18011.06

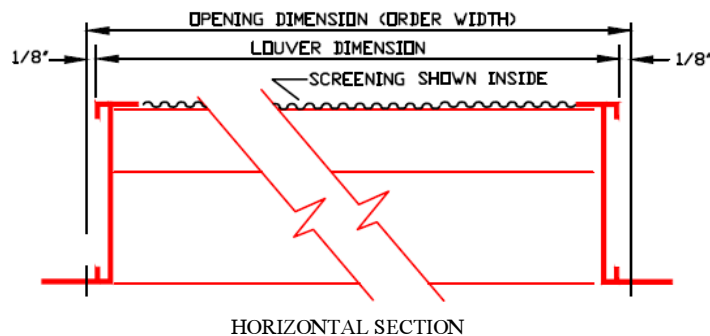
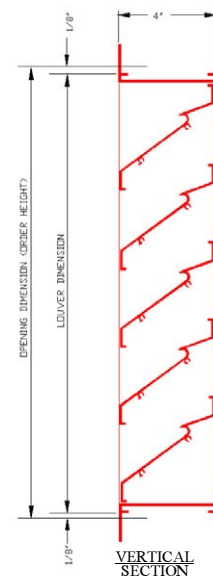
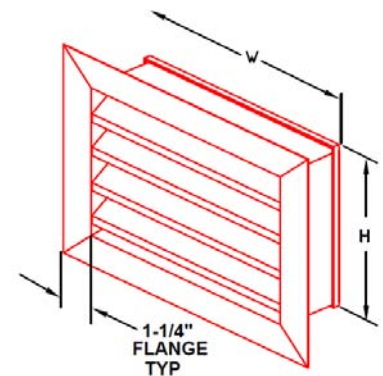
AMCA STD 500 Performance

#### APPLICATION

The 4-SRCF and 4-SRF are 4" deep stationary louvers with channel or flange frame is a 4" deep louver for the protection of high air intake velocities and exhaust in building exterior walls.

### STANDARD CONSTRUCTION SPECIFICATIONS

- FRAME:** 0.081 thick extruded aluminum 6063-T5 mill finish
- BLADE:** 0.081 thick extruded aluminum 6063-T5 mill finish.
- ANGLE:** 36°
- SPACING:** Approximately 3-1/4" center to center (except at head and sills)
- FASTENERS:** 10" x 3/4" tek screws
- FLANGE:** 1.25"
- SCREEN:** Bird screen 1/2" x 1/2" Galvanized Steel  
Optional: Insect Screen 18" x 16" mesh Aluminum
- FINISH:** Mill finish
- OPTIONAL** Clear Anodize, Painted, KYNAR, Anodize Colors



Bestlouver.com offers the professional builder and homeowner high quality ventilation products for commercial and residential applications. All of our louvers are American made and built to the highest standards. We offer louvers in all shapes, sizes and materials. Stock or custom louvers are produced and shipped on time and in budget. We specialize in the hard to find, hard to make, quick turn around jobs. Call our technical sales staff and engineers to discuss how Bestlouver.com can help you.



DEPARTMENT OF REGULATORY AND ECONOMIC RESOURCES (RER)  
BOARD AND CODE ADMINISTRATION DIVISION

**NOTICE OF ACCEPTANCE (NOA)**

MIAMI-DADE COUNTY  
PRODUCT CONTROL SECTION  
11805 SW 26 Street, Room 208  
Miami, Florida 33175-2474  
T (786) 315-2590 F (786) 315-2599  
[www.miamidade.gov/economy](http://www.miamidade.gov/economy)

**Lloyd Industries, Inc.**  
231 Commerce Drive  
Montgomeryville, PA 18936

**SCOPE:**

This NOA is being issued under the applicable rules and regulations governing the use of construction materials. The documentation submitted has been reviewed and accepted by Miami-Dade County RER-Product Control Section to be used in Miami Dade County and other areas where allowed by the Authority Having Jurisdiction (AHJ).

This NOA shall not be valid after the expiration date stated below. The Miami-Dade County Product Control Section (In Miami Dade County) and/or the AHJ (in areas other than Miami Dade County) reserve the right to have this product or material tested for quality assurance purposes. If this product or material fails to perform in the accepted manner, the manufacturer will incur the expense of such testing and the AHJ may immediately revoke, modify, or suspend the use of such product or material within their jurisdiction. RER reserves the right to revoke this acceptance, if it is determined by Miami-Dade County Product Control Section that this product or material fails to meet the requirements of the applicable building code. This product is approved as described herein, and has been designed to comply with the Florida Building Code, including the High Velocity Hurricane Zone.

**DESCRIPTION: Model 4SRF and 4SRCF Aluminum Louvers**

**APPROVAL DOCUMENT:** Drawing No. 4SRF-4SRCF, titled "Model 4-SRF/4-SRCF Louver", sheets 1 through 4 of 4, dated 08/12/2013, prepared by the manufacturer, signed and sealed by Richard Boyette, P.E. 04/28/2019, bearing the Miami-Dade County Product Control renewal stamp with the Notice of Acceptance number and expiration date by the Miami-Dade County Product Control Section.

**MISSILE IMPACT RATING: Large and Small Missile Impact Resistant**

**LABELING:** Each unit shall bear a permanent label with the manufacturer's name or logo, Orange Park, FL, model/series, and following statement: "Miami-Dade County Product Control Approved", unless otherwise noted herein.

**RENEWAL** of this NOA shall be considered after a renewal application has been filed and there has been no change in the applicable building code negatively affecting the performance of this product.

**TERMINATION** of this NOA will occur after the expiration date or if there has been a revision or change in the materials, use, and/or manufacture of the product or process. Misuse of this NOA as an endorsement of any product, for sales, advertising or any other purposes shall automatically terminate this NOA. Failure to comply with any section of this NOA shall be cause for termination and removal of NOA.

**ADVERTISEMENT:** The NOA number preceded by the words Miami-Dade County, Florida, and followed by the expiration date may be displayed in advertising literature. If any portion of the NOA is displayed, then it shall be done in its entirety.

**INSPECTION:** A copy of this entire NOA shall be provided to the user by the manufacturer or its distributors and shall be available for inspection at the job site at the request of the Building Official.

This NOA **renews** NOA # 15-0818.13 and consists of this page 1 and evidence pages E-1 and E-2, as well as approval document mentioned above.

The submitted documentation was reviewed by **Carlos M. Utrera, P.E.**

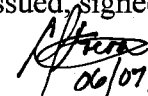


*[Signature]*  
06/07/2019

NOA No. 18-1011.06  
Expiration Date: March 6, 2024  
Approval Date: June 20, 2019  
Page 1

**NOTICE OF ACCEPTANCE: EVIDENCE SUBMITTED**

1. Evidence submitted under previous NOA's
  - A. DRAWINGS "*Submitted under NOA # 15-0818.13*"
    1. Drawing No. 4SRF-4SRCF, titled "Model 4-SRF/4-SRCF Louver", sheets 1 through 4 of 4, dated 08/12/2013, prepared by the manufacturer, signed and sealed by Richard Boyette, P.E.
  - B. TESTS "*Submitted under NOA # 13-0207.04*"
    1. Test report on 1) Uniform Static Air Pressure Test, Loading per FBC TAS 202-94  
2) Large Missile Impact Test per FBC, TAS 201-94  
3) Cyclic Wind Pressure Loading per FBC, TAS 203-94  
along with marked-up drawings and installation diagram of a 4-SRCF louver, prepared by Architectural Testing Inc., Test Report No. C1142.01-109-18, dated 01/15/2013, signed and sealed by Michael D. Stremmel, P.E.
  - C. CALCULATIONS "*Submitted under NOA # 15-0818.13*"
    1. Anchors calculations issued by Richard Boyette, P.E., dated 08/03/2015, signed and sealed by Richard Boyette, P.E.  
  
*"Submitted under NOA # 13-0207.04"*
      2. Anchors calculations issued Richard Boyette, P.E., dated 10/06/2013 and 01/09/2014, signed and sealed by Richard Boyette, P.E.
  - D. QUALITY ASSURANCE
    1. Miami-Dade Department of Regulatory and Economic Resources (RER)
  - E. MATERIAL CERTIFICATIONS
    1. None.
  - F. STATEMENTS "*Submitted under NOA # 15-0818.13*"
    1. Statement letter of code conformance to the 5<sup>th</sup> edition (2014) FBC issued by Richard Boyette, P.E., dated 08/03/2015, signed and sealed by Richard Boyette, P.E.
    2. Statement letter of no financial interest issued by Richard Boyette, P.E., dated 08/03/2015, signed and sealed by Richard Boyette, P.E.  
  
*"Submitted under NOA # 13-0207.04"*
      3. Statement letter of code conformance to 2010 FBC, dated 10/06/2013, issued, signed and sealed by Richard Boyette, P.E.
      4. Statement letter of no financial interest letter dated 10/06/2013, issued, signed and sealed by Richard Boyette, P.E.

  
06/07/2019

---

Carlos M. Utrera, P.E.  
Product Control Examiner  
NOA No. 18-1011.06  
Expiration Date: March 6, 2024  
Approval Date: June 20, 2019

**NOTICE OF ACCEPTANCE: EVIDENCE SUBMITTED**

**2. New evidence submitted**

**A. DRAWINGS**

1. Drawing No. **4SRF-4SRCF**, titled "Model 4-SRF/4-SRCF Louver", sheets 1 through 4 of 4, dated 08/12/2013, prepared by the manufacturer, signed and sealed by Richard Boyette, P.E. 04/28/2019.

**B. TESTS**

1. None.

**C. CALCULATIONS**

1. Anchors calculations issued by Richard Boyette, P.E., dated 02/03/2019, signed and sealed by Richard Boyette, P.E.

**D. QUALITY ASSURANCE**

1. Miami-Dade Department of Regulatory and Economic Resources (RER)

**E. MATERIAL CERTIFICATIONS**

1. None.

**F. STATEMENTS**

1. Statement letter of code conformance to the 6<sup>th</sup> edition (2017) FBC issued by Richard Boyette, P.E., dated 02/03/2019, signed and sealed by Richard Boyette, P.E.

  
06/07/2019

---

Carlos M. Utrera, P.E.  
Product Control Examiner  
NOA No. 18-1011.06  
Expiration Date: March 6, 2024  
Approval Date: June 20, 2019

2	Top and Sill	0.075" Alloy Aluminum 6061 - T6 Extrusion
2	Side Frame	0.075" Alloy Aluminum 6061 - T6 Extrusion
1	Screen	0.035" Thick Aluminum Wire
1	Back Plate	1" x 1/8" x 47-3/4" Alloy Aluminum 6061 - T6
12	Anchor Clip	1-3/16" x 1-3/16" x 2" x 1/8" Alloy Aluminum 6061 - T6
	See Table	#10 x 1-3/4" Wood Screw
		#10-16 Kwik-Flex SDS
		1/4" x 2-1/2" Tapcon
		1/4" x 2-3/4" Tapcon
8-12		#8 x 1-1/4" SMS

FASTENERS ARE STAINLESS STEEL

Pressure ±100 PSF

Each louver blade is secured at each end with two #10 x 1" long hex head screws, through the jamb into the louver blade

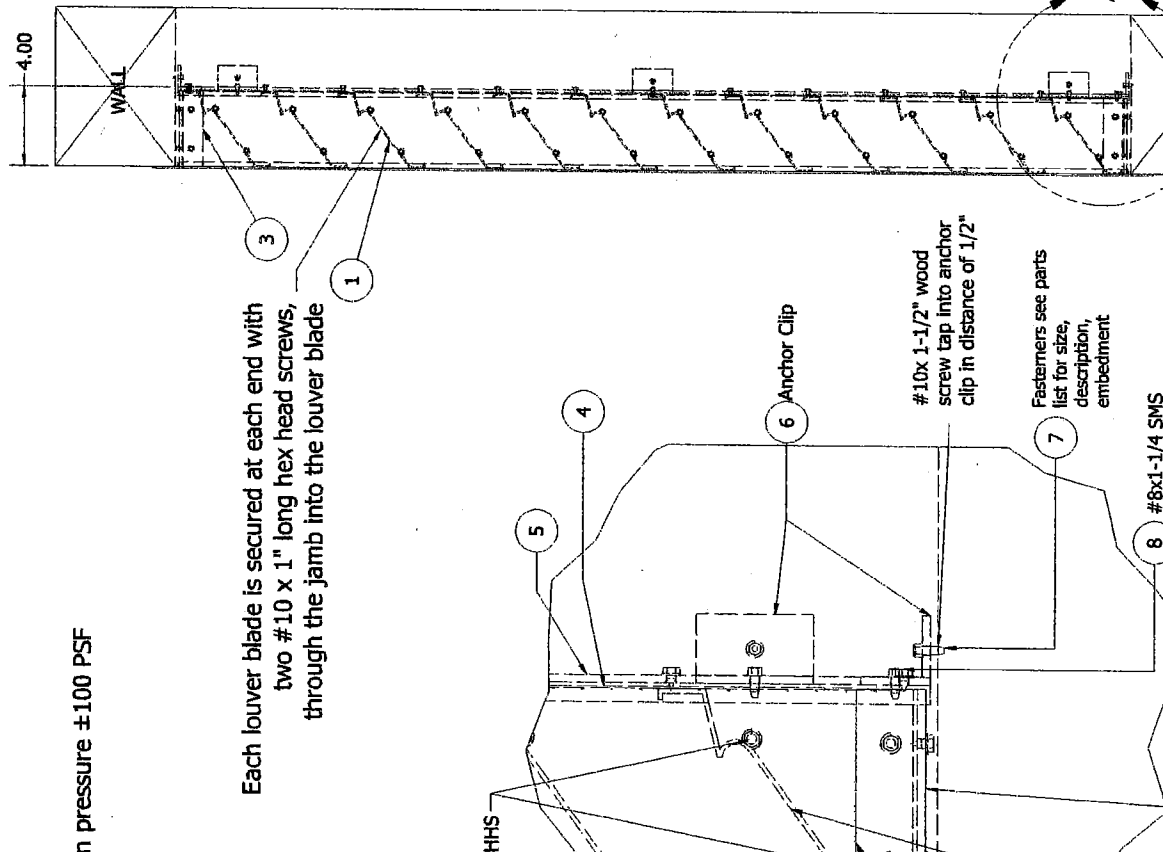
**PRODUCT RENEWED**  
as complying with the Florida  
Building Code  
NOA-No. **18-1011.06**

Expiration Date **03/06/2024**  
By *[Signature]*  
Miami-Dade Product Control

**FASTENER QUANTITIES**

MAX INSIDE DIMENSION L x W	NO. FASTENERS - SUBSTRATE TYPE	
	WOOD	CONC.
18"x18"	8	8
24"x24"	8	8
30"x30"	12	12
36"x36"	12	12
42"x42"	12	12
48"x48"	12	12

FASTENER SPACING: 3" FROM CORNERS  
MAX 21" O.C.



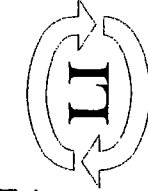
The maximum size of the 4-SRF is 47.75"x47.75"

The minimum size of the 4-SRF is 18"x18"

Blade spacing 3.89

The screen secures to the interior of the frame using snap-fit extruded aluminum stops and #10 x 3/4" long self-tapping hex head screws. The screws located at the head, sill and jamba and are located at each end and spaced 7" on center

Back view of the 4-SRF installs into the wall

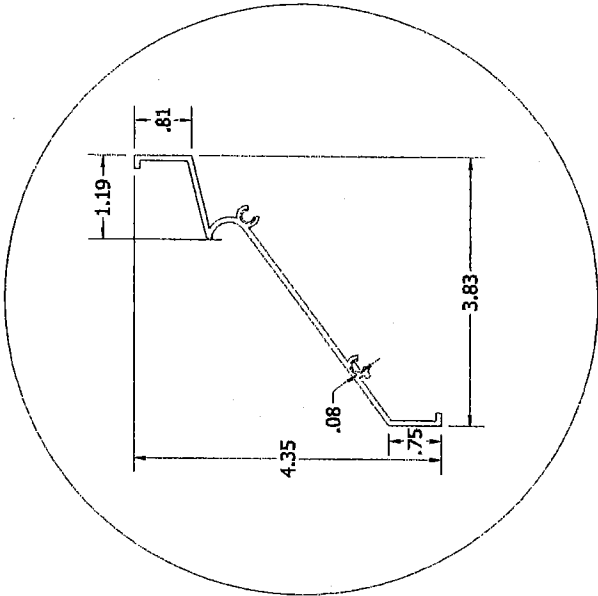


**LLOYD INDUSTRIES**  
231 Commerce Drive, Montgomeryville, PA.  
Ph: 215-412-4445 Fax: 215-412-4409  
Email: lloydind@firedamper.com  
www.firedamper.com

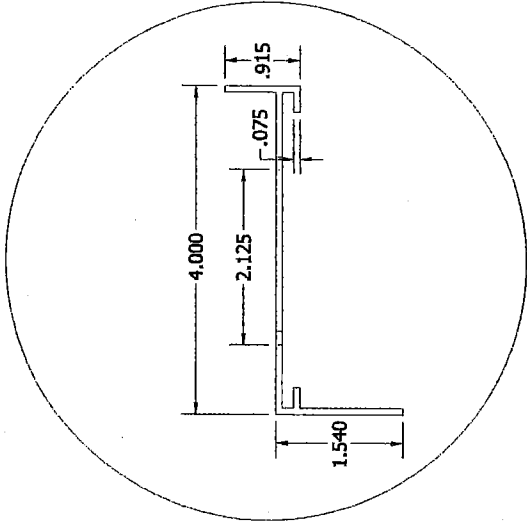


Richard Boyette  
FL PE #42485  
Rick Boyette Consulting Inc - CoA  
#9707  
4031 Coconut Blvd  
Royal Palm Beach FL 33411

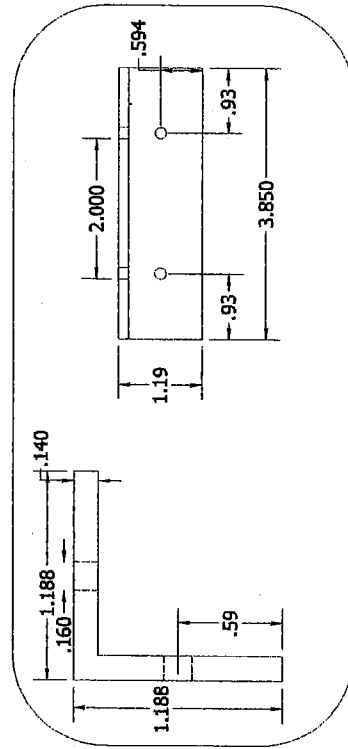
DWG NO. 4SRF - 4SRFC  
TITLE IMPACT RESISTANT LOUVER  
Model 4-SRF



Detail Item 1



Detail Item 2



Detail Item 3

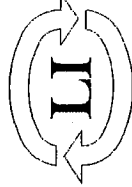
These louvers have not been tested for water infiltration per TAS 100(A) (Wind Rain Resistance Test). They are to be installed in a location where the room above the louvers is designed to drain water penetrating into the room, and the room above the louvers is designed to be water resistant/water proof equipment, components, or supplies".

**PRODUCT RENEWAL**  
 as complying with the F  
 Building Code  
 NOA-No. 18-101

Expiration Date 03/06/21

By *[Signature]*  
 Miami-Dade Product Co

**LLOYD INDUSTRIE**  
 231 Commerce Drive, Montgomeryville, PA  
 Ph: 215-412-4445 Fax: 215-412-4409  
 Email: lloydind@firedamper.com  
 www.firedamper.com



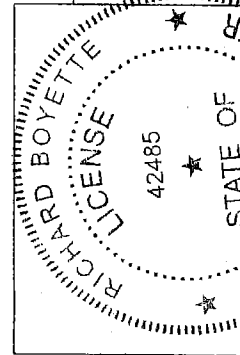
DWG NO.

4SRF - 4SRCF

TITLE

Richard Boyette  
 FL PE #42485  
 Rick Boyette Consulting Inc - CoA  
 #9707

4031 Coconut Blvd  
 Royal Palm Beach FL 33411  
 561-700-5766



IMPACT RESISTANT LOUVER

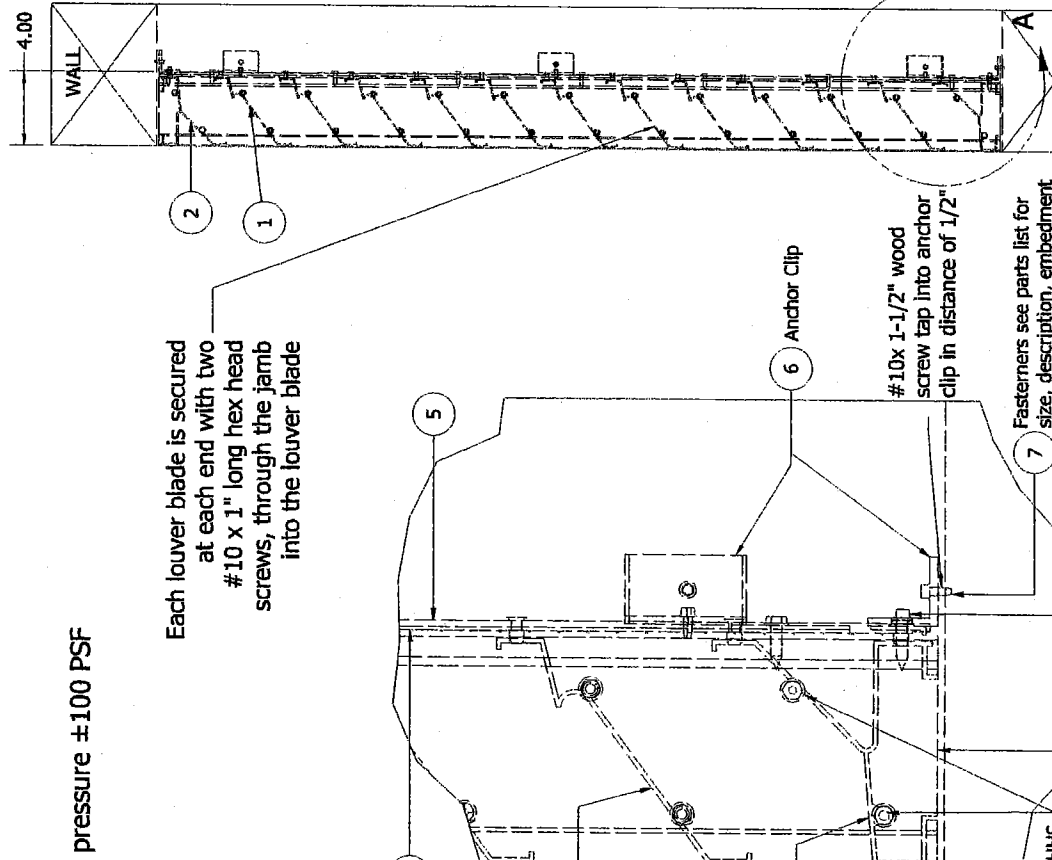
Model 4-SRF

2	Top and Sill	0.075" Alloy Aluminum 6061 - T6 Extrusion
2	Side Frame	0.075" Alloy Aluminum 6061 - T6 Extrusion
1	Screen	0.035" Thick Aluminum Wire
1	Back Plate	1" x 1/8" x 47-3/4" Alloy Aluminum 6061 - T6
12	Anchor Clip	1-3/16" x 1-3/16" x 2" x 1/8" Alloy Aluminum 6061 - T6
See Table	#10 x 1-3/4" Wood Screw	PT 2x Wood Buck, 2" Edge Dist., 1-1/2" MIN Embed, SG 0.55
	#10-16 Kwik-Flex SDS	MIN 18g Steel, 1" Edge Dist., Full PEN.
	1/4" x 2-1/2" Tapcon	Grout Filled CMU, 1-1/2" Embed into Grout, 2" Edge Dist.
	1/4" x 1-3/4" Tapcon	MIN 2000 PSI Concrete, 1-1/2" Embed, 2" Edge Dist.
8-12	#8 x 1-1/4" SMS	

**FASTENERS ARE STAINLESS STEEL**

pressure ±100 PSF

Each louver blade is secured at each end with two #10 x 1" long hex head screws, through the jamb into the louver blade



The maximum size of the 4-SRCF is 47.75"x47.75"

The minimum size of the 4-SRCF is 18"x18"

Blade spacing 3.71

Front view of the 4-SRCF

5

3.00

MAX 21"

6

WALL

Back view of the 4-SRCF installs into the wall

**FASTENER QUANTITIES**

MAX INSIDE DIMENSION L x W	NO. FASTENERS - SUBSTRATE TYPE		
	WOOD	CONC.	STEEL
18"x18"	8	8	8
24"x24"	8	8	8
30"x30"	12	12	12
36"x36"	12	12	12
42"x42"	12	12	12
48"x48"	12	12	12

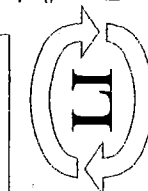
FASTENER SPACING: 3" FROM CORNERS  
MAX 21" O.C.

**PRODUCT RENEWED**  
as complying with the Florida  
Building Code NOA-No. 18-1011.06

Expiration Date 03/06/2024

By *[Signature]*  
Miami-Dade Product Control

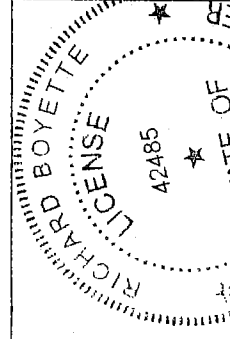
The screen secures to the interior of the frame using snap-fit extruded aluminum stops and #10 x 3/4" long self-tapping hex head screws. The screws located at the head, sill and jambs and are located at each end and spaced 7" on center



**LLOYD INDUSTRIES**  
231 Commerce Drive, Montgomeryville, PA  
Ph: 215-412-4445 Fax: 215-412-4409  
Email: lloydind@firedamper.com  
www.firedamper.com

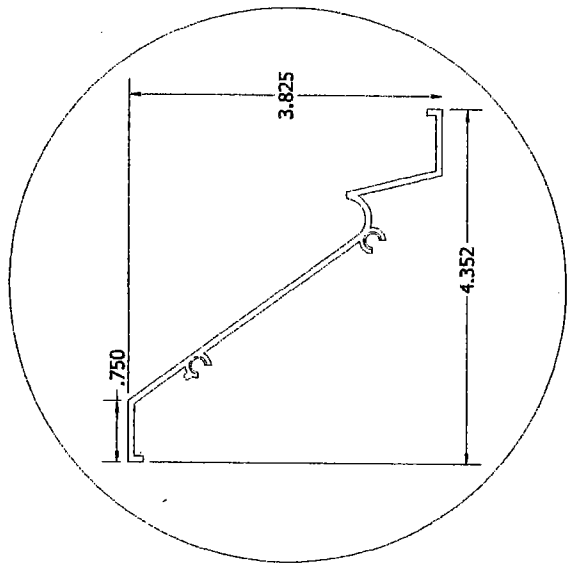
DWG NO. 4SRF - 4SRCF  
TITLE

Richard Boyette  
FL PE #42485  
Rick Boyette Consulting, Inc - Coa  
#9707  
3031 Coconut Blvd  
Royal Palm Beach FL 33411

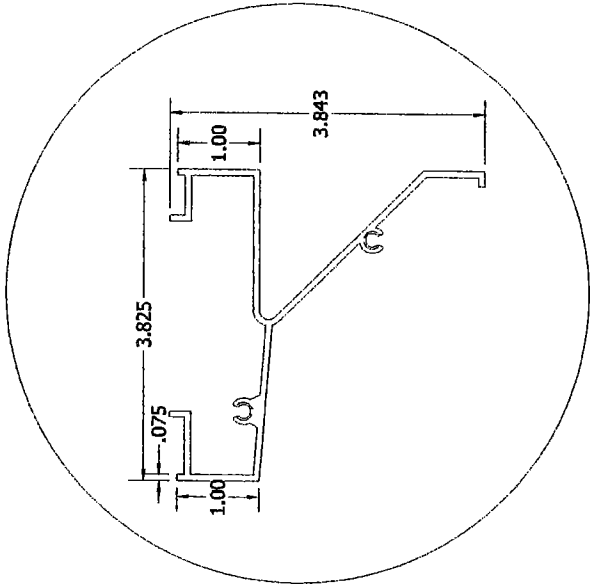


Fasteners see parts list for size, description, embedment

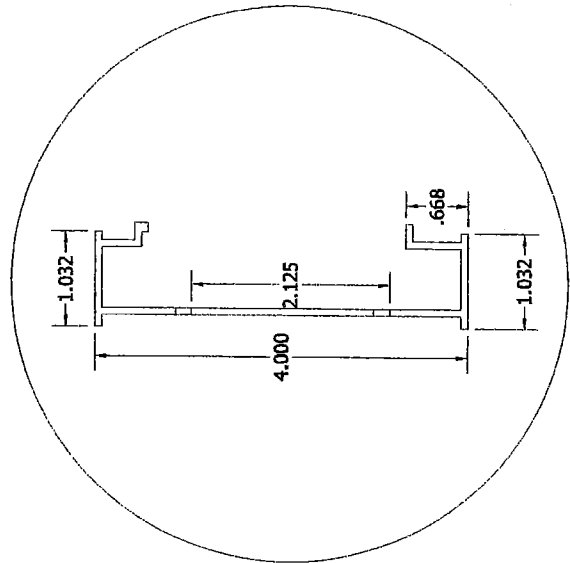
IMPACT RESISTANT CHANNEL FRAME LOUVER



Detail Item 1



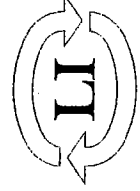
Detail Item 2



Detail Item 3

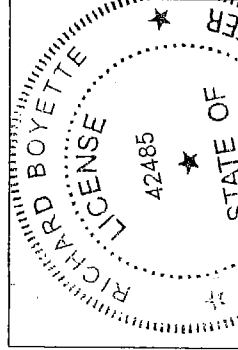
**PRODUCT RENEWEL**  
 as complying with the Fire  
 Building Code  
 NOA-No. 18-10111  
 Expiration Date 03/06/2011  
 By *[Signature]*  
 Miami-Dade Product Com

**LLOYD INDUSTRIES**  
 231 Commerce Drive, Montgomeryville, PA.  
 Ph: 215-412-4445 Fax: 215-412-4409  
 Email: lloydind@firedamper.com  
 www.firedamper.com



DWG NO.	4SRF - 4SRCF	S
TITLE	IMPACT RESISTANT CHANNEL FRAME LOU Model 4 SRCE	

Richard Boyette  
 FL PE #42485  
 Rick Boyette Consulting Inc - CoA  
 #9707  
 4031 Coconut Blvd  
 Royal Palm Beach FL 33411  
 561-790-5766



These louvers have not been tested for water infiltration per TAS 100(A) (Wind  
 in Resistance Test). They are to be installed in a location where the room