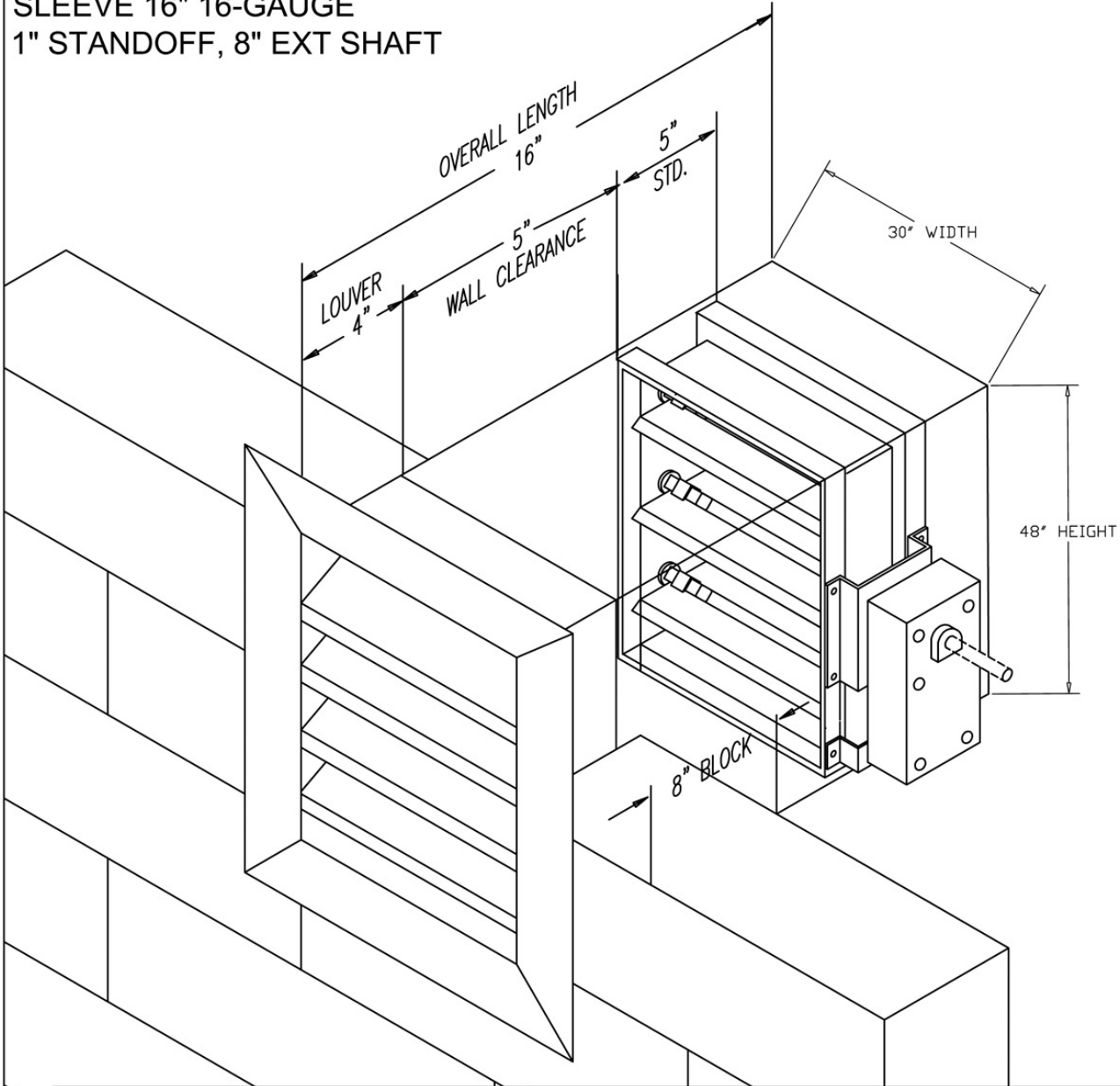


BEST LOUVER

COMBINATION ASSEMBLIES
 AIR CONTROL DAMPER (AC10 SHOWN)
 ACTUATOR 120V EXTERNAL MOUNT
 4SRF
 SLEEVE 16" 16-GAUGE
 1" STANDOFF, 8" EXT SHAFT

NOT DRAWN TO SCALE
 ALL WIDTH AND HEIGHT
 DIMENSIONS NOMINAL,
 SUBJECT TO 1/4" UNDERCUT



SINGLE SECTION SIZE AVAILABILITY		MULTIPLE SECTIONS		JOB NAME: _____ LOCATION: _____ ARCHITECT: _____ ENGINEER: _____ CONTRACTOR: _____
MINIMUM	WIDTH X HEIGHT		UNLIMITED	
	6"	6"		
MAXIMUM	60"	60"		