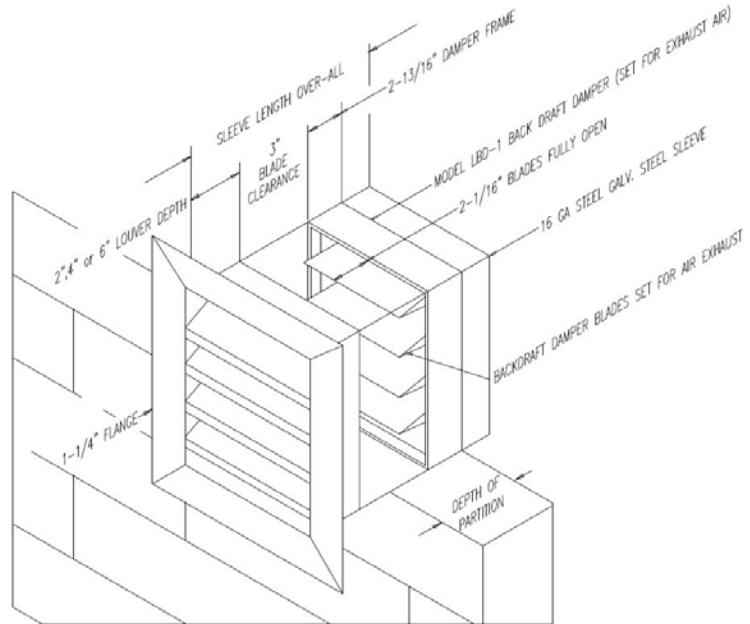


## BACKDRAFT DAMPER & LOUVER ASSEMBLY

### MODEL LBD-1: PARALLEL BLADE BACKDRAFT DAMPER ASSEMBLY

#### EXHAUST AIR

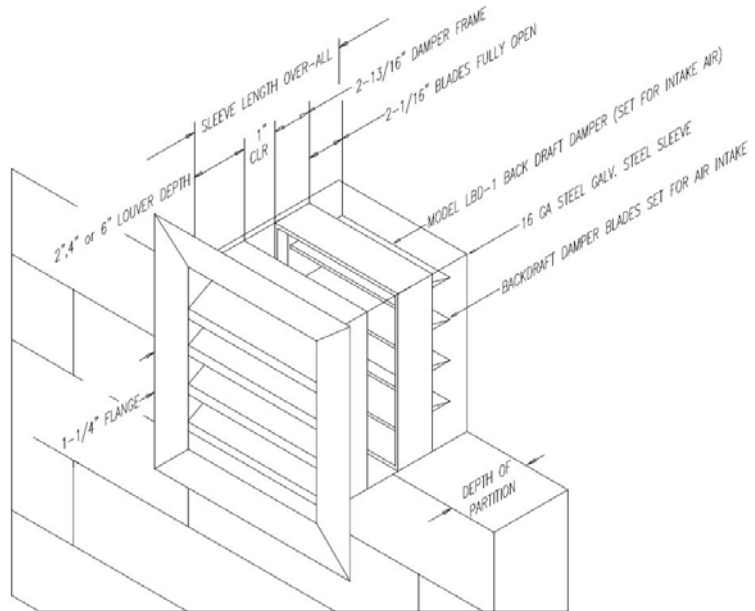
- Combination assemblies  
Backdraft damper (LBD-1-V)  
Louver ( 2" 4" or 6") (Flanged)  
16 ga. Galv. Steel Sleeve  
(Sleeve length is based  
on wall thickness and louver depth)



Single Section		Multiple Section
Minimum Size (WxH)	Maximum Size (WxH)	Maximum Size (WxH)
6"x6"	60"x60"	UNLIMITED

#### INTAKE AIR

- Combination assemblies  
Backdraft damper (LBD-1-V)  
Louver ( 2" 4" or 6") (Flanged)  
16 ga. Galv. Steel Sleeve  
(Sleeve length is based on  
wall thickness and louver depth)



Single Section		Multiple Section
Minimum Size (WxH)	Maximum Size (WxH)	Maximum Size (WxH)
6"x6"	60"x60"	UNLIMITED

Bestlouver.com offers the professional builder and homeowner high quality ventilation products for commercial and residential applications. All of our louvers are American made and built to the highest standards. We offer louvers in all shapes, sizes and materials. Stock or custom louvers are produced and shipped on time and in budget. We specialize in the hard to find, hard to make, quick turn around jobs. Call our technical sales staff and engineers to discuss how Bestlouver.com can help you.