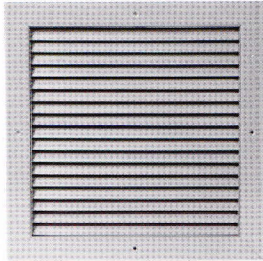


Wall Louvers

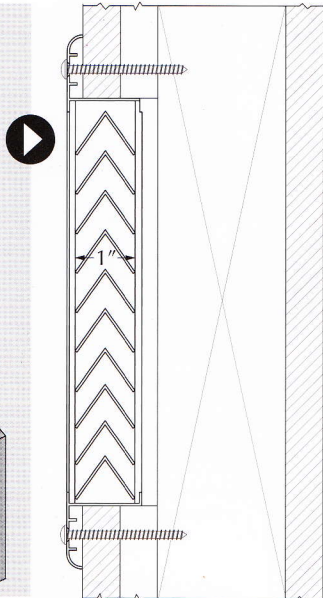
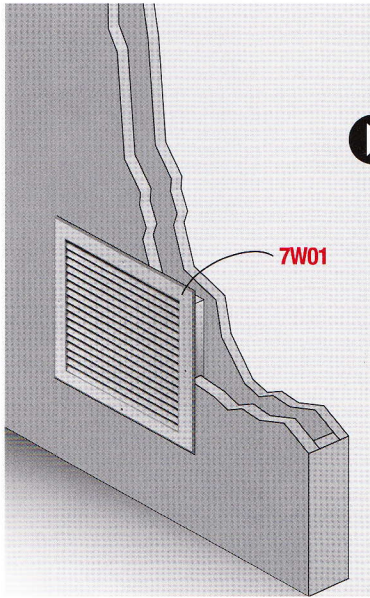
Sheetrock Wall Louvers - Interior Use

#7W01 Half wall vent application

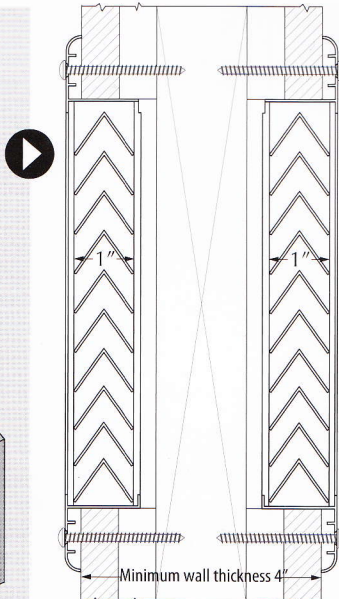
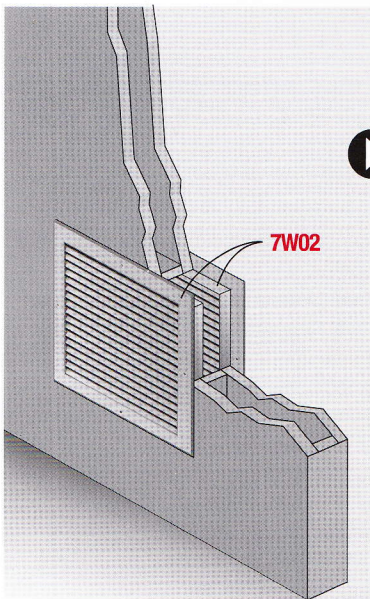
#7W02 Through wall vent application



- For use on a sheetrock wall /drywall.
- Construction: Extruded aluminum frame with mitered corners and prepunched mounting screw holes, with "V" blades horizontally set on 3/4" centers, fixed at 37° angle for vision-proof.
- Finish : 204 R1 clear anodized finish. Powder coated available upon request.



• Half wall vent application - Drywall

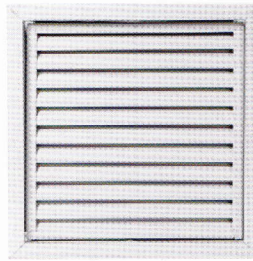


• Through wall vent application - Drywall

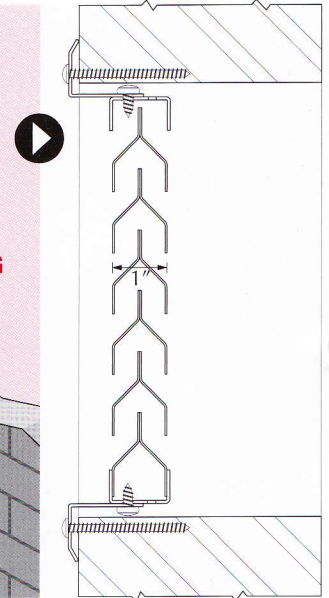
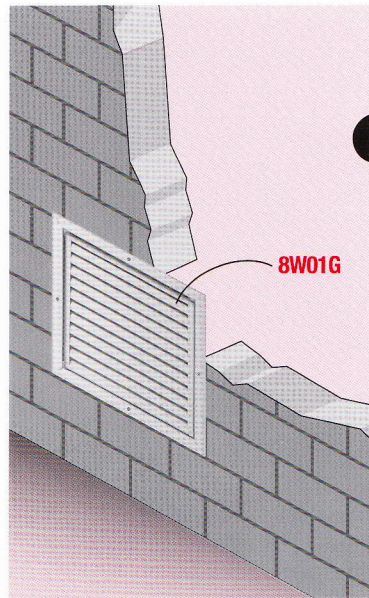
Brick Wall Louvers - Exterior Use

#8W01G Half wall vent application

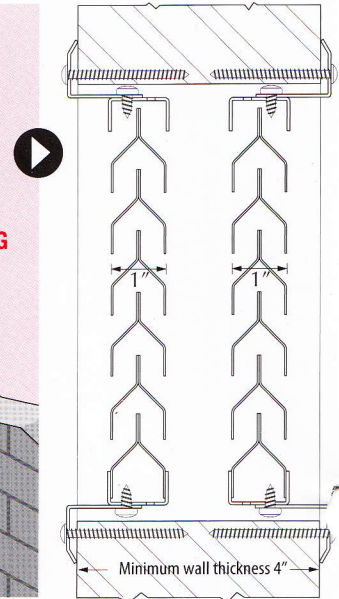
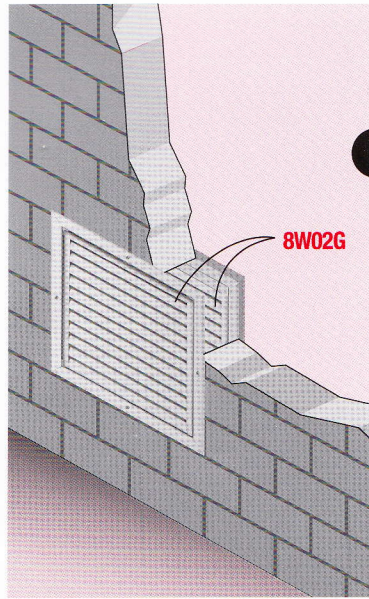
#8W02G Through wall vent application



- For use on a brick / block wall.
- Construction: Galvanized Steel. Frame: 20 Gauge. Blades: 20 Gauge. Inverted "Y" design vision-proof louver.
- Finish : Grey powder-coated primer, unless specified other. Standard colors: Grey, Beige, Bronze. Other colors available upon request.



• Half wall vent application - Brick wall



• Through wall vent application - Brick wall